



3A, 16V, 600 kHz Synchronous Rectified Step-Down

● Features

- 3A Output Current
- Wide 4.5V to 16V Operating Input Range
- Integrated 130mΩ Power MOSFET Switches
- Output Adjustable from 0.6V to 16V
- Up to 95% Efficiency
- Programmable Soft-Start
- Stable with Low ESR Ceramic Output Capacitors
- Fixed 600KHz Frequency
- Cycle-by-Cycle Over Current Protection
- Input Under Voltage Lockout

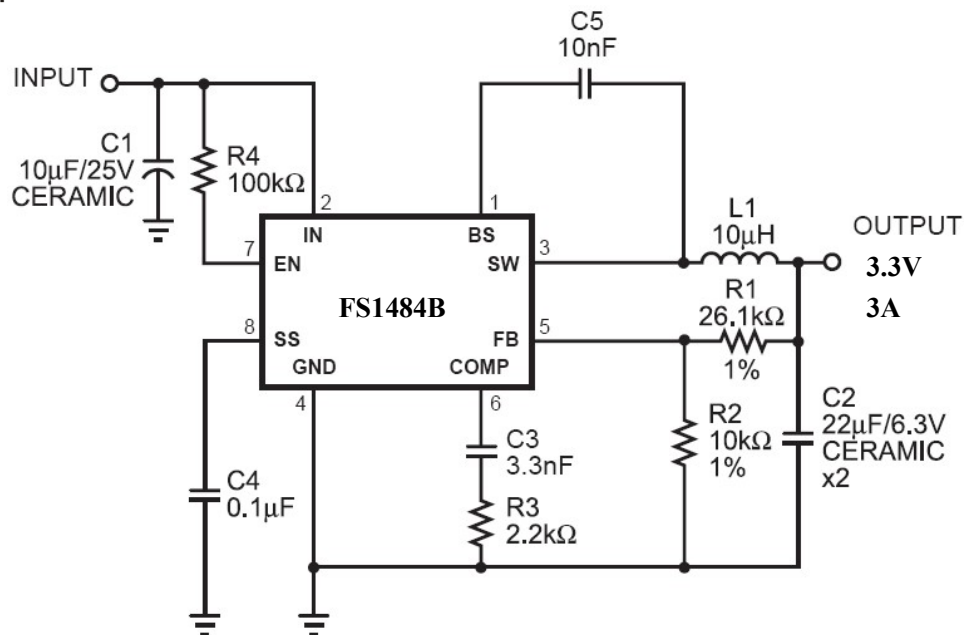
● General Description

The FS1484B is a monolithic synchronous buck regulator. The device integrates 100mΩ MOSFETS that provide 3A continuous load current over a wide operating input voltage of 4.5V to 16V. Current mode control provides fast transient response and cycle-by-cycle current limit. An adjustable soft-start prevents inrush current at turn-on. In shutdown mode, the supply current drops below 1 μA. This device, available in an 8-pin SOIC package, provides a very compact system solution with minimal reliance on external components.

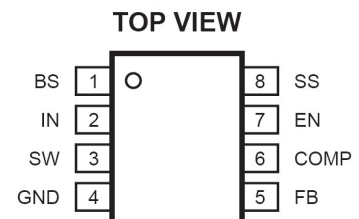
● Applications

- TFT LCD Monitors
- Portable DVDs, Headphones, MP3 Players, etc.
- Car-Powered or Battery-Powered Equipment
- Set-Top Boxes
- Telecom Power Supplies
- DSL and Cable Modems and Routers

● Typical Application



Package Information





● PIN DESCRIPTIONS

Pin	Name	Description
1	BS	High-Side Gate Drive Boost Input. BS supplies the drive for the high-side N-Channel MOSFET switch. Connect a 0.01μF or greater capacitor from SW to BS to power the high side switch.
2	IN	Power Input. IN supplies the power to the IC, as well as the step-down converter switches. Drive IN with a 4.75V to 23V power source. Bypass IN to GND with a suitably large capacitor to eliminate noise on the input to the IC. See Input Capacitor.
3	SW	Power Switching Output. SW is the switching node that supplies power to the output. Connect the output LC filter from SW to the output load. Note that a capacitor is required from SW to BS to power the high-side switch.
4	GND	Ground.
5	FB	Feedback Input. FB senses the output voltage to regulate that voltage. Drive FB with a resistive voltage divider from the output voltage. The feedback threshold is 0.925V. See Setting the Output Voltage.
6	COMP	Compensation Node. COMP is used to compensate the regulation control loop. Connect a series RC network from COMP to GND to compensate the regulation control loop. In some cases, an additional capacitor from COMP to GND is required. See Compensation Components.
7	EN	Enable Input. EN is a digital input that turns the regulator on or off. Drive EN high to turn on the regulator, drive it low to turn it off. Pull up with 100kΩ resistor for automatic startup.
8	SS	Soft-Start Control Input. SS controls the soft start period. Connect a capacitor from SS to GND to set the soft-start period. A 0.1μF capacitor sets the soft-start period to 15ms. To disable the soft-start feature, leave SS unconnected.

● Functional Block Diagram

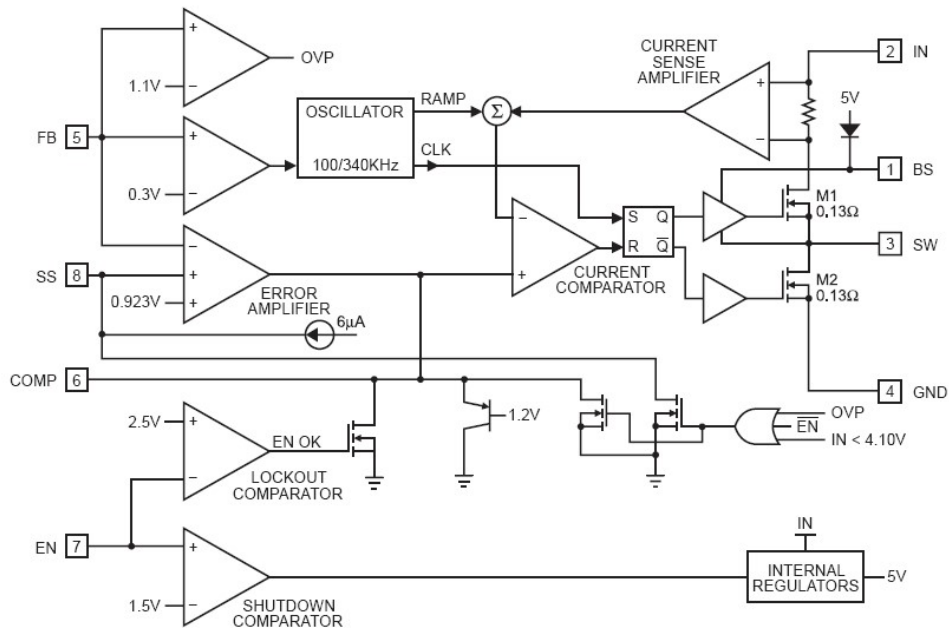


Figure 1—Functional Block Diagram



● **Absolute Maximum Ratings @ $T_A=25^{\circ}\text{C}$** unless otherwise noted

PARAMETER	SYMBOL	TYP
Supply Voltage	VIN	-0.3V to +18V
Switch Node Voltage	VSW	-1V to +18V
Boost Voltage	VBS	VSW - 0.3V to VSW + 6V
All Other Pins		-0.3V to +6V
Junction Temperature.		150°C
Lead Temperature		260°C
Storage Temperature		-65°C to +150°C
Recommended Operating Conditions		
Input Voltage	VIN	4.75V to 18V
Output Voltage	VOUT	0.923V to 18V
Ambient Operating Temperature		-40°C to +85°C
Thermal Resistance (3)	$\theta_{JA} \theta_{JC}$	90..... 45... ° C/W

● **Electrical Characteristics @ $T_A=25^{\circ}\text{C}$** unless otherwise noted

VIN = 12V, TA = +25°C, unless otherwise noted.

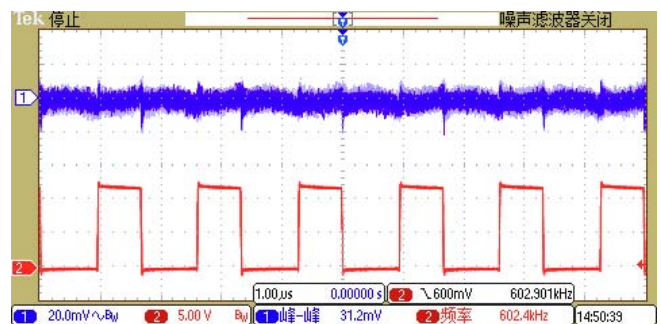
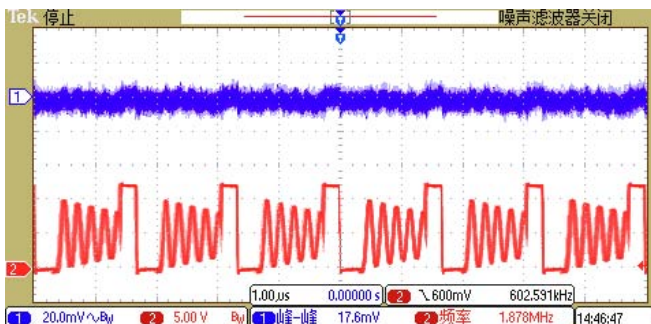
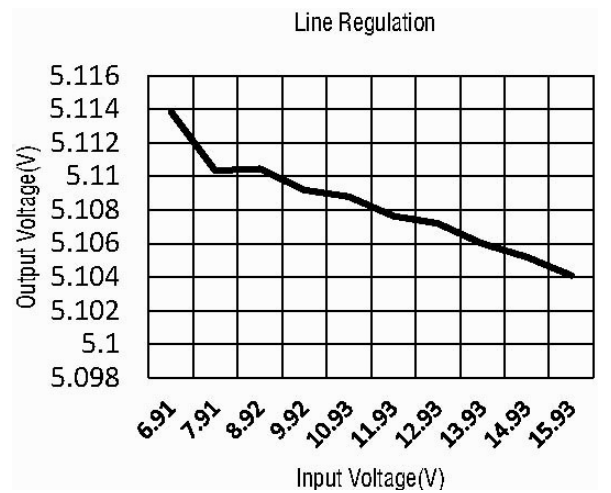
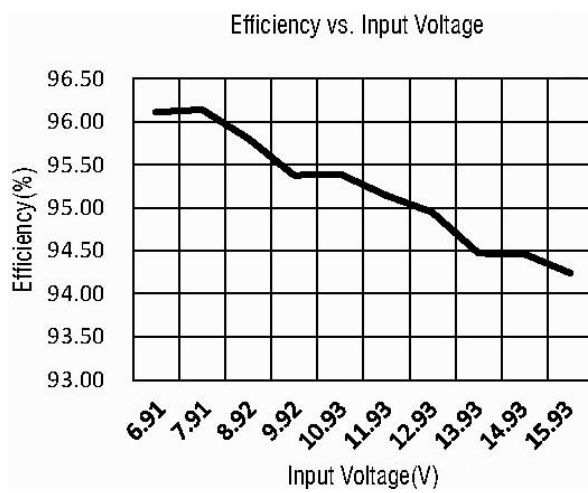
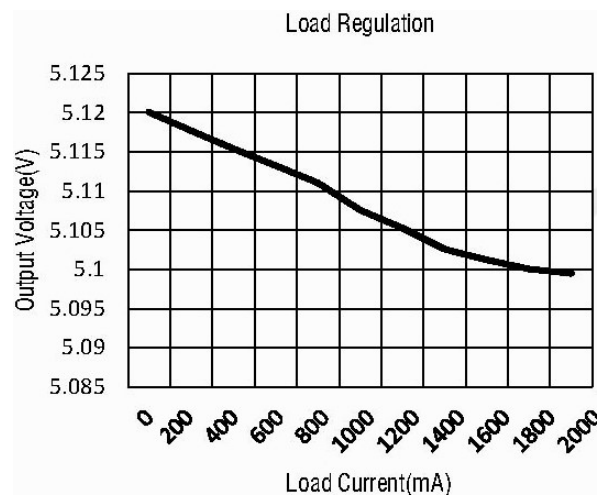
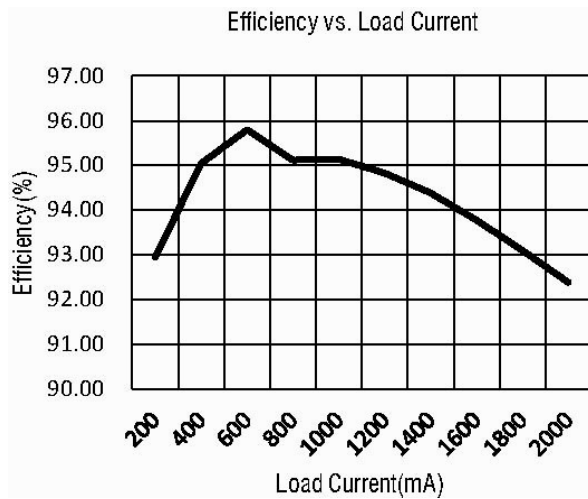
Parameter	Symbol	Condition	Min	Typ	Max	Units
Shutdown Supply Current		VEN = 0V		0.3	3.0	μA
Supply Current		VEN = 2.0V; VFB = 1.0V		1.3	1.5	mA
Feedback Voltage	VFB	4.75V ≤ VIN ≤ 18V	0.900	0.923	0.946	V
Feedback Overvoltage Threshold				1.1		V
Error Amplifier Voltage Gain (4)	AEA			400		V/V
Error Amplifier Transconductance	GEA	$\Delta IC = \pm 10\mu A$		820		μA/V
High-Side Switch On Resistance (4)	RDS(ON)1			85		mΩ
Low-Side Switch On Resistance (4)	RDS(ON)2			85		mΩ
High-Side Switch Leakage Current		VEN = 0V, VSW = 0V		0	10	μA
Upper Switch Current Limit		Minimum Duty Cycle	3.8	5.3		A
Lower Switch Current Limit		From Drain to Source		0.9		A
COMP to Current Sense Transconductance	GCS			5.2		A/V
Oscillation Frequency	Fosc1			600		KHz
Short Circuit Oscillation Frequency	Fosc2	VFB = 0V		100		KHz
Maximum Duty Cycle	DMAX	VFB = 1.0V		90		%
Minimum On Time (4)				220		ns
EN Shutdown Threshold Voltage		VEN Rising	1.1	1.5	2.0	V
EN Threshold Voltage Hysteresis				220		mV
EN Lockout Threshold Voltage			2.2	2.5	2.7	V
EN Lockout Hysteresis				210		mV
Input Under Voltage Lockout Threshold		VIN Rising	3.80	4.05	4.40	V



Hysteresis			210	mV
Soft-Start Current		VSS = 0V	6	μA
Soft-Start Period		CSS = 0.1μF	15	ms
Thermal Shutdown (4)			160	°C

Note: 4) Guaranteed by design, not tested.

● Typical Performance Characteristics





OPERATION

FUNCTIONAL DESCRIPTION

The FS1484B is a synchronous rectified, current-mode, step-down regulator. It regulates input voltages from 4.75V to 16V down to an output voltage as low as 0.925V, and supplies up to 3A of load current.

The FS1484B uses current-mode control to regulate the output voltage. The output voltage is measured at FB through a resistive voltage divider and amplified through the internal transconductance error amplifier. The voltage at the COMP pin is compared to the switch current measured internally to control the output voltage.

The converter uses internal N-Channel MOSFET switches to step-down the input voltage to the regulated output voltage. Since the high side MOSFET requires a gate voltage greater than the input voltage, a boost capacitor connected between SW and BS is needed to drive the high side gate. The boost capacitor is charged from the internal 6V rail when SW is low.

When the FS1484B FB pin exceeds 20% of the nominal regulation voltage of 0.925V, the over voltage comparator is tripped and the COMP pin and the SS pin are discharged to GND, forcing the high-side switch off.

● **Package Information**

SOP8

